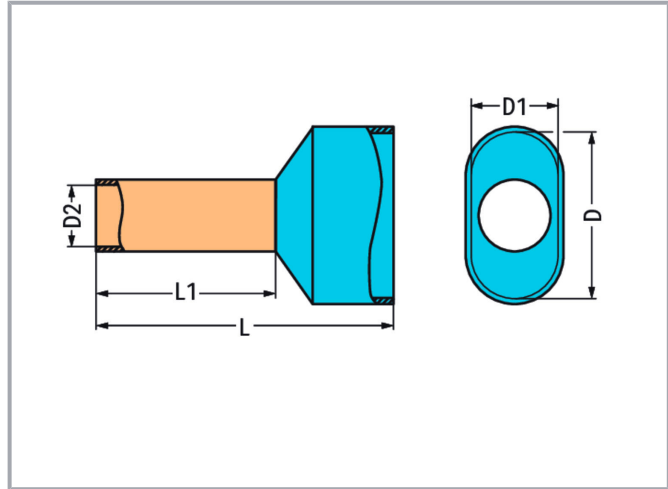
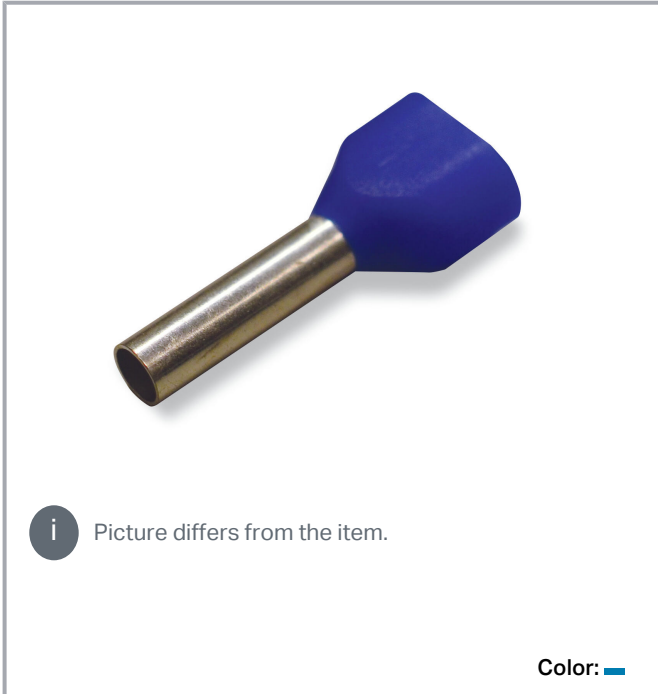


Data sheet | Item number: 216-1535

Twin ferrule; Sleeve for 2 x 2.5 mm / AWG 14; insulated; blue

www.wago.com/216-1535



Data

Technical data

Main product function Ferrule

Connection data

Fine-stranded conductor 2.5 mm² / 14 AWG

Physical data

Length	19 mm
Length 1	10 mm
Diameter	8 mm
Diameter 1	4.5 mm
Diameter 2	2.8 mm

Subject to changes. Please also observe the further product documentation!

WAGO Corporation
Germantown, WI 53022
Phone: 1-800-DIN-RAIL (346-7245) | Fax: (262) 255-6222
Email: info.us@wago.com | Web: www.wago.us

Do you have any questions about our products?
We are always happy to take your call at (262) 255-6222 or 1 800-DIN-RAIL.

Material data

Color	blue
Weight	0.3 g

Commercial data

Packaging type	bag
Country of origin	DE
GTIN	4055143582018
Customs tariff number	85369010000

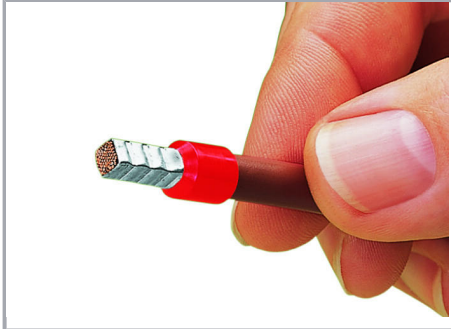
Downloads

Environmental Product Compliance

Compliance Search

Environmental Product Compliance 216-1535	URL	Download
Twin ferrule; Sleeve for 2 x 2.5 mm / AWG 14; insulated; blue		

Installation Notes



A perfect gas-tight crimp – both electrically and mechanically reliable

Subject to changes. Please also observe the further product documentation!

WAGO Corporation
Germantown, WI 53022
Phone: 1-800-DIN-RAIL (346-7245) | Fax: (262) 255-6222
Email: info.us@wago.com | Web: www.wago.us

Do you have any questions about our products?
We are always happy to take your call at (262) 255-6222 or 1 800-DIN-RAIL.